



## MILLION AGENCIES PTE LTD

756 Upper Serangoon Road #03-08  
Upper Serangoon Shopping Centre  
Singapore 534626

Tel: (+65) 62850021 (5 Lines)

Facsimile No: (+65) 6284 6343

Email: sales@millionagencies.com.sg



# LINE SEIKI

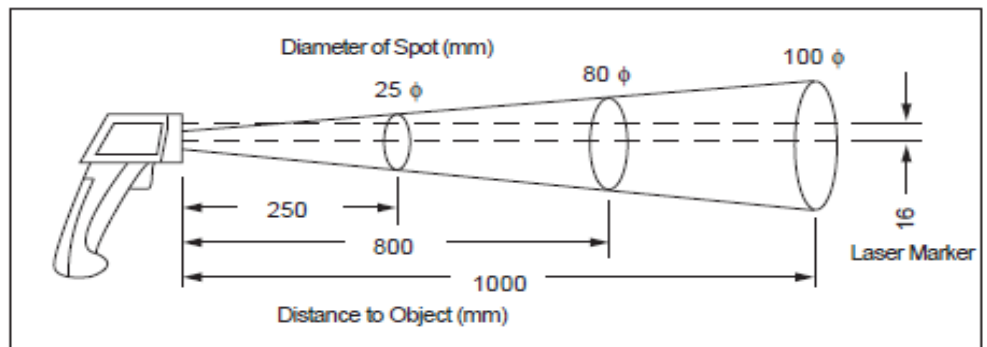
## INFRARED THERMOMETER

### TC-6000 SIMPLE & EASY OPERATION

Handy gun type with laser marking function.

EL back light function.

In Conformance to CE(EMC).



## Specifications

Measuring Range	- 30°C ~ +550°C
Resolution	0.5°C/1°C Automatic Change
Accuracy	±(2°C) on- 30°C to 100°C ±(2% reading) on 101°C to 550°C
Sampling Time	4 times / sec
Emittance	0.95 Fix
Measuring Area Size	φ100mm at 1000mm
Ambient Range	0°C ~ 50°C, under 70%RH
Storage Ambient Range	- 20°C ~ 60°C, under 80%RH
Display	3.5 Digit LCD Display
Power Supply	9V 006P
Size / Weight	148 (W) X 105 (H) X 42 (D) mm , Approx. 160g
Accessories	One Battery 006P, Instruction Manual , Plastic Cover
Compliance	CE